

PRODUCT CHANGE NOTIFICATION

Date: September 02, 2019
PCN: PCN LEDIL 154

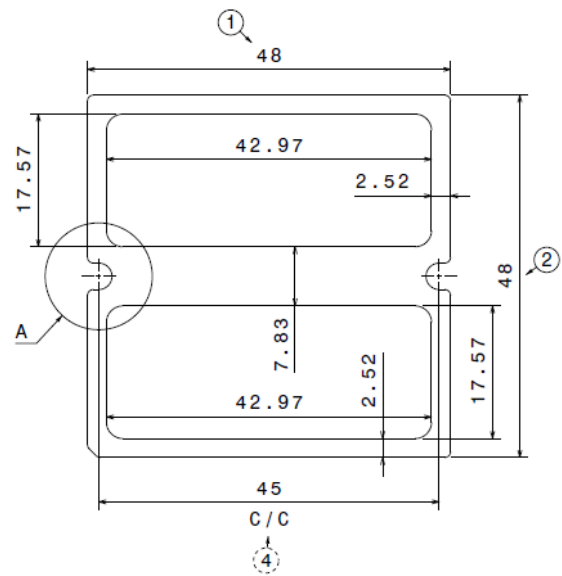
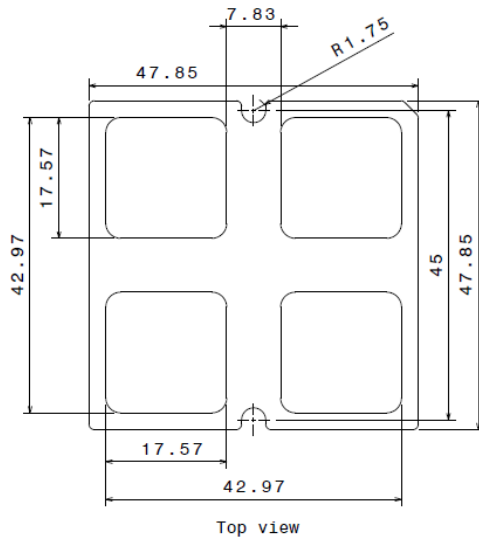
Subject: PCN 154 - Change of tape design C14151_STRADA-2X2-TAPE

Description: As part of our continuous improvement process regarding quality, we have changed tape design of C14151_STRADA-2X2-TAPE. Functionality of the tape remains the same

Time line: This change is valid immediately.

Changes: Old design

New Design:



Contact information:

Patrick Odenwall
Product Manager
Joensuunkatu 13

24100 SALO, FINLAND

patrick.odenwall@ledil.com

Veijo Isojunno
Product Manager
Joensuunkatu 13

24100 SALO, FINLAND

veijo.isojunno@ledil.com

Henri Uutela
Product Manager
Joensuunkatu 13

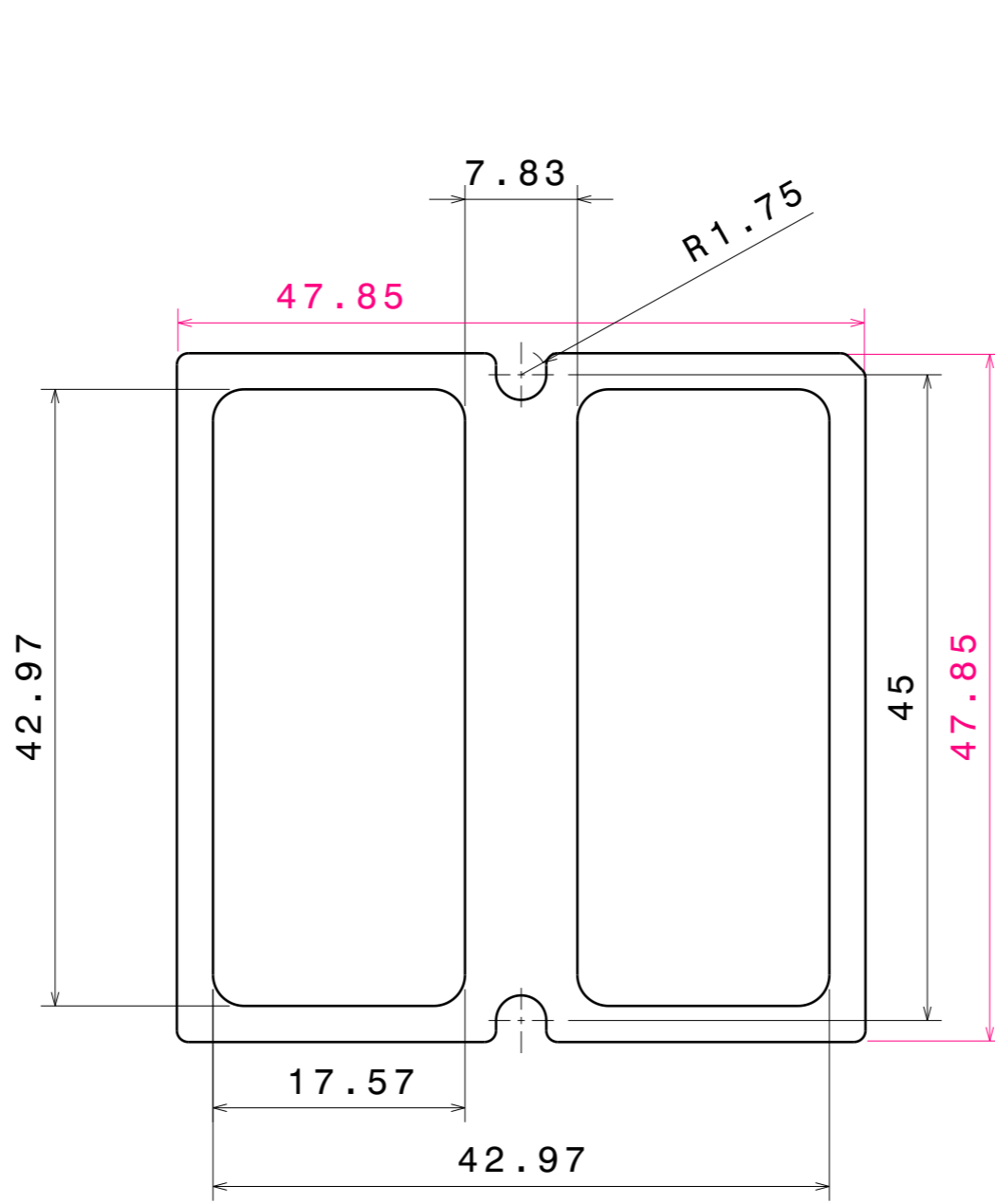
24100 SALO, FINLAND

henri.uutela@ledil.com

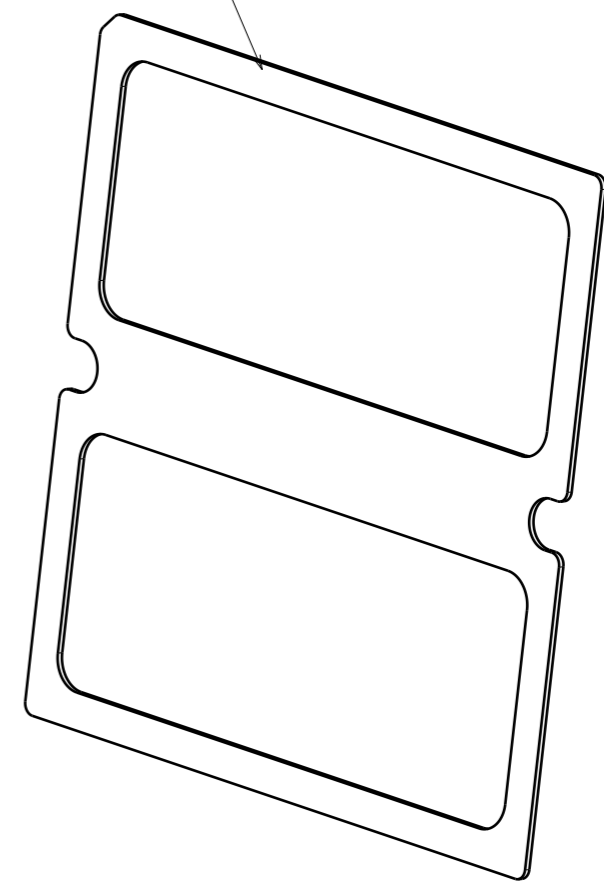
Olga Cherepenina
Product Marketing Manager
Joensuunkatu 13

24100 SALO, FINLAND

olga.cherepenina@ledil.com



Thickness 0.4mm



Isometric view

Top view

PART	TYPE	MATERIAL	COLOR / COATING
C14151_STRADA-2X2-TAPE		Tape	

MECHANICAL DRAWING		LEDiL®
PRODUCT STRADA-2X2 TAPE		
Plastic moulding general tolerances according to DIN 16901-130 and applies if not otherwise shown in the drawing. Silicone moulding general tolerances according to ISO 3302-1 Class M3 and applies if not otherwise shown in the drawing.	FIRST ANGLE PROJECTION: 	This drawing is the property of LEDiL Oy. It may not be copied or otherwise distributed without prior written permission from LEDiL Oy.
SCALE 2:1	WEIGHT 0,3 g	
		A3 SHEET 1/1